

CABLE CHANNEL HOLDER

Holder with integrated aluminum rail for cable channel placed on flat roofs. The material is resistant to UV radiation.

Dimensions

250 × 125 × 50 mm

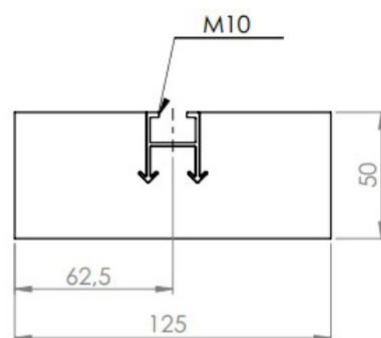


Basic characteristics

Product description	rubber product moulded with M10 metal rail and provided with aluminium foil on bottom side
Material composition	recycled SBR granulate 1,0 - 3,0 mm PU binder
Surface layer	aluminium foil
Colour	black
REACH regulation (EC) 1907/2006 Substances of Very High Concern (SVHC)	PASS (SVHC ≤ 0,1 % (w/w))
Colour stability	the colour may change when exposed to UV rays
Chemical resistance	do not use in the presence of oils, petroleum and its derivatives, strong acids and strong alkali
Reaction to fire class	Efl (according to EN 13501-1)
Density	808 kg/m ³
Connection type	stand-alone holder
Recycled content	>90%

Shipping and storage details

Length and width	mm	250 x 125
Thickness	mm	50
Weight	kg / pc	1,4
Pieces per pallet	pcs / pal	640
Pallet dimensions	mm	1 000 x 1 000



12. 9. 2023 The provided information are valid at the time of issue of the product sheet.
The manufacturer reserves the right to change these data.